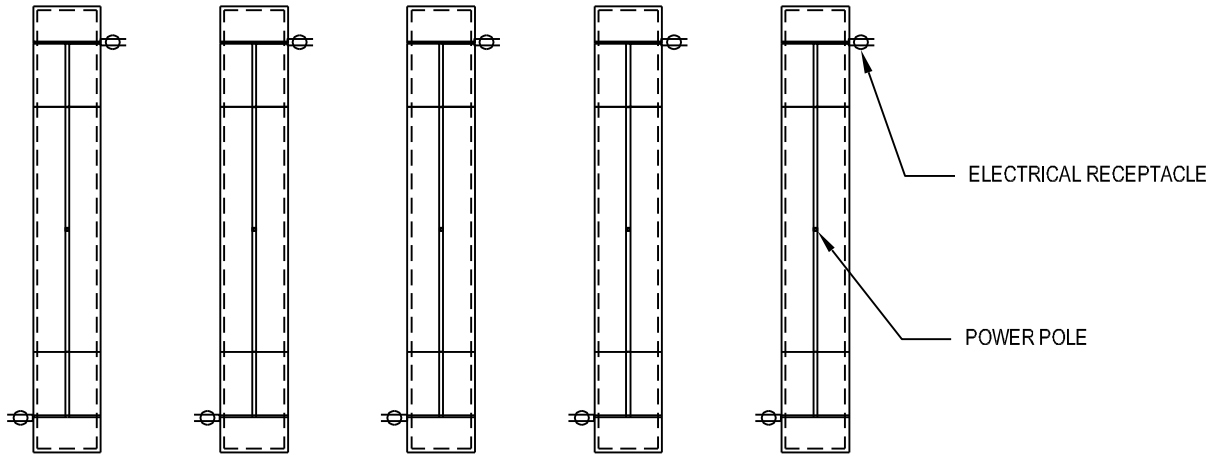


DESIGN A/E: ADD THIS NOTE ON THE DRAWINGS

GF/GI GONDOLA SHELVING WILL BE INSTALLED WITHIN 60 CALENDAR DAYS OF ESTABLISHED CONSTRUCTION COMPLETION DATE AND GOVERNMENT ACCEPTANCE OF THE FACILITY. CONSTRUCTION CONTRACTOR WILL COMPLETE ELECTRICAL WORK REQUIRED FOR GONDOLA SHELVING WITHIN 30 CALENDAR DAYS AFTER NOTIFICATION THAT GF/GI GONDOLA SHELVING INSTALLATION IS COMPLETE. CONSTRUCTION CONTRACTOR MAY BE REQUIRED TO REMOVE SHELVING AND OTHER GONDOLA COMPONENTS TO INSTALL CONDUIT AND RECEPTACLES TO COMPLETE INSTALLATION. ITEMS REMOVED SHALL BE REINSTALLED BY CONSTRUCTION CONTRACTOR UPON COMPLETION OF ELECTRICAL WORK.

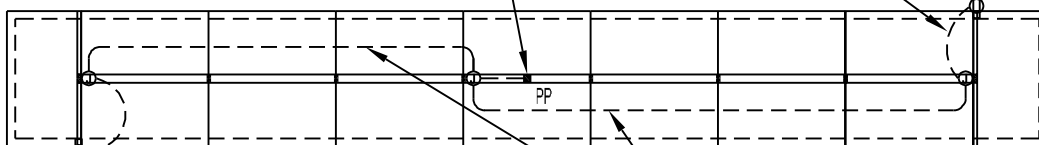


TYPICAL RECEPTACLE PLACEMENT

NO SCALE

2 1/4" SQUARE ALUMINUM POWER POLE - DROP NEAR CENTER OF GONDOLA RUN AT LOCATION INDICATED ON FLOOR PLAN AND SECURE TO TOP OF GONDOLA SHELVING.
 RUN 1/2" EMT WITHIN GONDOLA UPRIGHTS TO JUNCTION BOX NEAR BASE OF NEAREST UPRIGHT

LIQUIDTIGHT FLEXIBLE METALLIC CONDUIT - 48" LONG



PROVIDE RECEPTACLE AND MOUNT IN SINGLE GANG CAST METAL BOX. PROVIDE CAST METAL COVER TO MATE WITH BOX. LOCATE RECEPTACLE AT LOCATIONS INDICATED ON FLOOR PLAN. ATTACH RECEPTACLE BOX TO GONDOLA BASE BRACKET.

2#12 & #12 GND. 1/2" EMT. SECURE JUNCTION BOXES TO GONDOLA SHELVING UPRIGHTS AND ROUTE CONDUIT THROUGH THE FACTORY PRE-PUNCHED HOLE IN GONDOLA BASE SUPPORTS.

GONDOLA RECEPTACLE DETAIL

NO SCALE

DATE	DEFENSE COMMISSARY AGENCY DIRECTORATE OF ENGINEERING FORT LEE, VIRGINIA - LACKLAND AFB, TEXAS		DESIGN STANDARD
JUN 2022	TITLE	SALES AREA SHELVING GONDOLA ELECTRICAL RECEPTACLE DETAIL	262726-02
			REV.